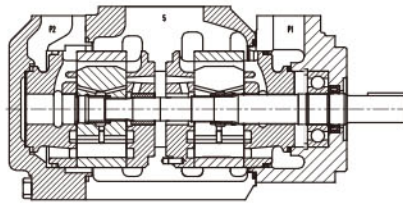
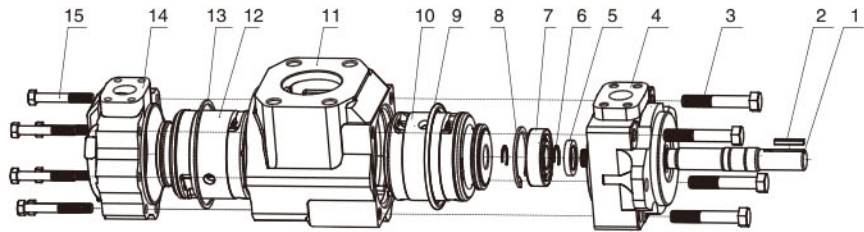
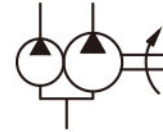


T6, T67, T7 系列双联泵

T6, T67, T7 SERIES-DOUBLE PUMPS



液压符号
Hydraulic Sign



序号 NO.	名称 Part	数量 Qty
1	轴 shaft	1
2	平键 straight key	1
3	外六角螺栓 Hexagon head bolt	4
4	前盖 front cover	1
5	油封 shaft seal	1

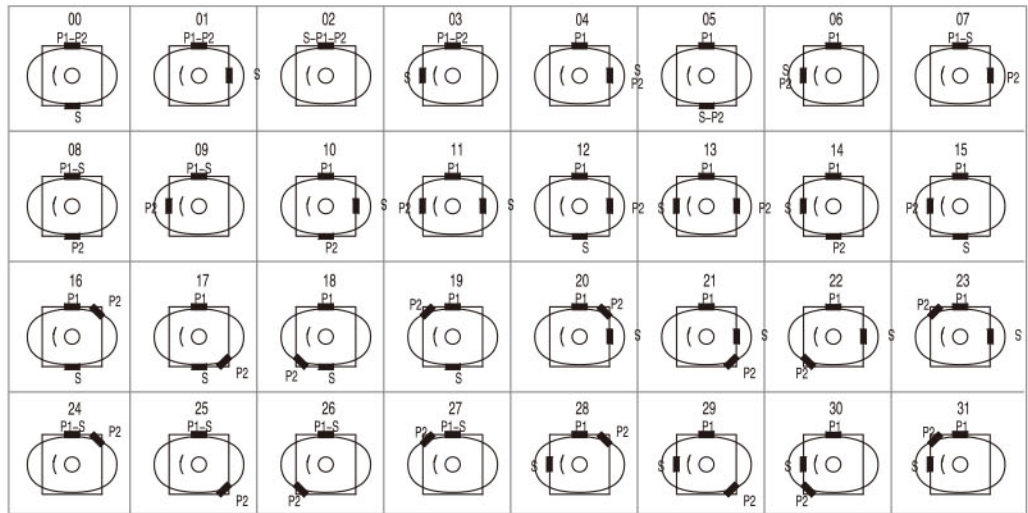
序号 NO.	名称 Part	数量 Qty
6	轴用钢丝挡圈 cir clip for shaft	2
7	滚动轴承 ball bearing	1
8	孔用弹性挡圈 cir clip for hole	1
9	矩形密封圈 rectangle seal ring	1
10	前泵芯 front cartridge	1

序号 NO.	名称 Part	数量 Qty
11	中泵体 middle body	1
12	后泵芯 rear cartridge	1
13	矩形密封圈 rectangle seal ring	1
14	后盖 rear cover	1
15	外六角螺栓 Hexagon head bolt	4

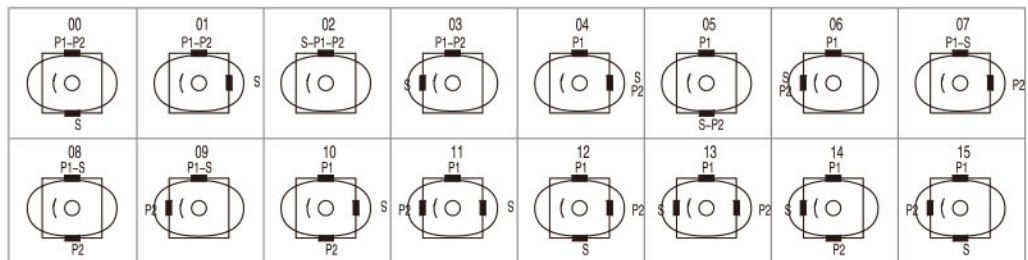
油口位置 (从泵的轴端看)

PORT POSITIONS (VIEWED FROM SHAFT END OF PUMP)

T7BB(S)
T7DB(S)
T7EB(S)
T67CB
T6CC
T67DB
T6DC
T67EB
T67EC
T6EC



T7DD(S)
T7ED(S)
T7EE(S)
T7ED
T6ED
T6EE



型号说明

MODEL CODE

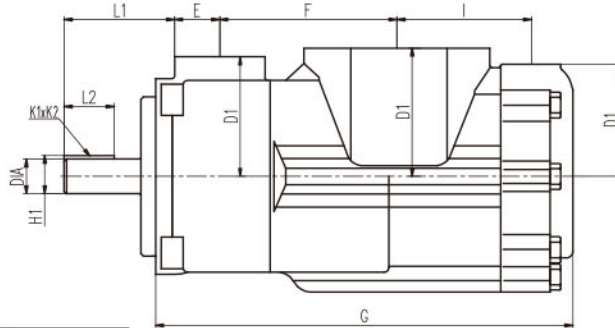
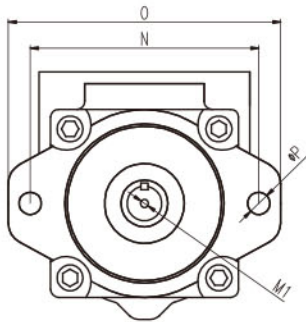
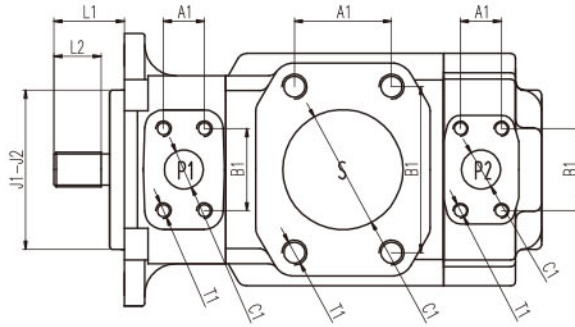
T6CC	S	W	-025	-017	-1	R	02	-C	1	10
系列号 Series	类别代号 Type Code	辅助类别代号 Vice Type Code	轴端泵排量代号 Flow-shaft end Pump	盖端泵排量代号 Flow-cover end pump	轴伸形式 Shaft type	旋转方向 Rotation	油口位置 Port positions	设计号 Design number	密封等级 Sealing Level	油口尺寸 Port dimensions
T7BB	无: 采用 ISO 3019 安装法兰 NO: USE ISO 3019 Installation Flange S: 采用 SAE C J744 安装法兰 S: USE SAE C J744 installation flange	无此项 NO	B02, B03, B04, B05, B06, B07, B08, B10, B12, B15, B20	B02, B03, B04, B05, B06, B07, B08, B10, B12, B15, B20						00, 01, M0, M1 见安装连接尺寸 See installation dimensions
T7DB			B14, B17, B20, B22, B24, B28, B31, B35, B38, B42	B02, B03, B04, B05, B06, B07, B08, B10, B12, B15						00, 01, M1, M0 见安装连接尺寸 See installation dimensions
T7DD			B14, B17, B20, B22, B24, B28, B31, B35, B38, B42	B14, B17, B20, B22, B24, B28, B31, B35, B38, B42						无此选项 No
T7EB			042, 045, 050, 052, 054, 057, 062, 066, 072, 085	B02, B03, B04, B05, B06, B07, B08, B10, B12, B15, B20						
T7ED			042, 045, 050, 052, 054, 057, 062, 066, 072, 085	B14, B17, B20, B22, B24, B28, B31, B35, B38, B42						
T7EE			042, 045, 050, 052, 054, 057, 062, 066, 072, 085	042, 045, 050, 052, 054, 057, 062, 066, 072, 085						
T67CB	无: 工业用型 M: 车用型 P: 车用型 双重油封 NO: industrial type M: truck type P: truck type double seal kits	W: 重型轴 Heavy str keyed shaft	003/B03, 005/B05, 006/B06, 008/B08, 010/B10, 012/B12, 014/B14, 017/B17, 020/B20, 022/B22, 025/B25, 028/B28, 031/B31	B02, B03, B04, B05, B06, B07, B08, B10, B12, B15	见轴伸尺寸 See size of shaft	从泵的轴端看 Viewed from shaft end of pump R-顺时针 旋转 right hand for clockwise L-逆时针 旋转 left hand for counter- clockwise	见下图 see picture below	C	1-S1, 丁腈橡胶 NBR Nitrile rubber 5-S5, 氟橡胶 Fluororubber	11, M1
T6CC			003/B03, 005/B05, 006/B06, 008/B08, 010/B10, 012/B12, 014/B14, 017/B17, 020/B20, 022/B22, 025/B25, 028/B28, 031/B31	003/B03, 005/B05, 006/B06, 008/B08, 010/B10, 012/B12, 014/B14, 017/B17, 020/B20, 022/B22, 025/B25, 028/B28, 031/B31						00, 01, 10, 11, M0, M1, W0, W1 见安装连接尺寸 See installation dimensions
T67DB			014/B14, 017/B17, 020/B20, 024/B24, 028/B28, 031/B31, 035/B35, 038/B38, 042/B42, 045/B45, 050/B50, 061	B02, B03, B04, B05, B06, B07, B08, B10, B12, B15, B20						无此选项 No
T67DC			B14, B17, B20, B22, B24, B28, B31, B35, B38, B42	003/B03, 005/B05, 006/B06, 008/B08, 010/B10, 012/B12, 014/B14, 017/B17, 020/B20, 022/B22, 025/B25, 028/B28, 031/B31						
T6DC			014/B14, 017/B17, 020/B20, 024/B24, 028/B28, 031/B31, 035/B35, 038/B38, 042/B42, 045/B45, 050/B50, 061	003/B03, 005/B05, 006/B06, 008/B08, 010/B10, 012/B12, 014/B14, 017/B17, 020/B20, 022/B22, 025/B25, 028/B28, 031/B31						无此选项 No
T67EB			042, 045, 050, 052, 057, 062, 066, 072, 085	B02, B03, B04, B05, B06, B07, B08, B10, B12, B15, B20						
T6EC			042, 045, 050, 052, 057, 062, 066, 072, 085	003/B03, 005/B05, 006/B06, 008/B08, 010/B10, 012/B12, 014/B14, 017/B17, 020/B20, 022/B22, 025/B25, 028/B28, 031/B31						无此选项 No
T67EC			042, 045, 050, 052, 057, 062, 066, 072, 085	003/B03, 005/B05, 006/B06, 008/B08, 010/B10, 012/B12, 014/B14, 017/B17, 020/B20, 022/B22, 025/B25, 028/B28, 031/B31						
T6ED			042, 045, 050, 052, 057, 062, 066, 072, 085	014/B14, 017/B17, 020/B20, 024/B24, 028/B28, 031/B31, 035/B35, 038/B38, 042/B42, 045/B45, 050/B50, 061						无此选项 No
T6EE			042, 045, 050, 052, 057, 062, 066, 072, 085	042, 045, 050, 052, 057, 062, 066, 072, 085						

003/B03 排量代号中0表示单转向型配流侧板结构, B表示双转向型配流侧板结构;与相应系列、规格的T6单泵性能参数一致, 详见T6系列单泵的性能参数
In displacement code, 0 means single steering valve plate structure, B means the two steering valve plate structure.
The data of relevant series ,model are unanimous.Please see T6 series-single pumps data

安装连接尺寸

INSTALLATION DIMENSIONS

T6CC
T6DC
T6EC
T6ED



	T6CC	T6DC
E	38.1	38.1
F	101.6	114.3
G	265.6	286.0
I	88.2	109.5
J1	101.60	127.00
J2	101.55	126.95
N	146.0	181.0
O	174.5	212.4
ΦP	14.3	17.5

	T6EC	T6ED
E	52.3	52.3
F	118.5	133.5
G	331.6	361.0
I	136.7	148.2
J1	127.00	127.00
J2	126.95	126.95
N	181.0	181.0
O	213.0	213.0
ΦP	17.5	17.5

	代号/Code	P1	P2	S
T6CC	00(0M)	1"	1"	3"
	01(W0)	1"	3/4"	3"
	10(1M)	1"	1"	2-1/2"
	11(W1)	1"	3/4"	2-1/2"
T6DC T7DB(S)	00(M0)	1-1/4"	1"	3"
	01(M1)	1-1/4"	3/4"	3"

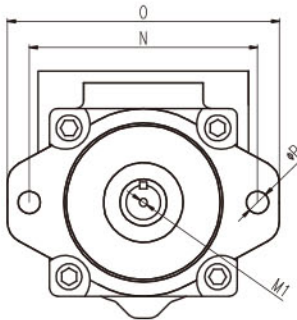
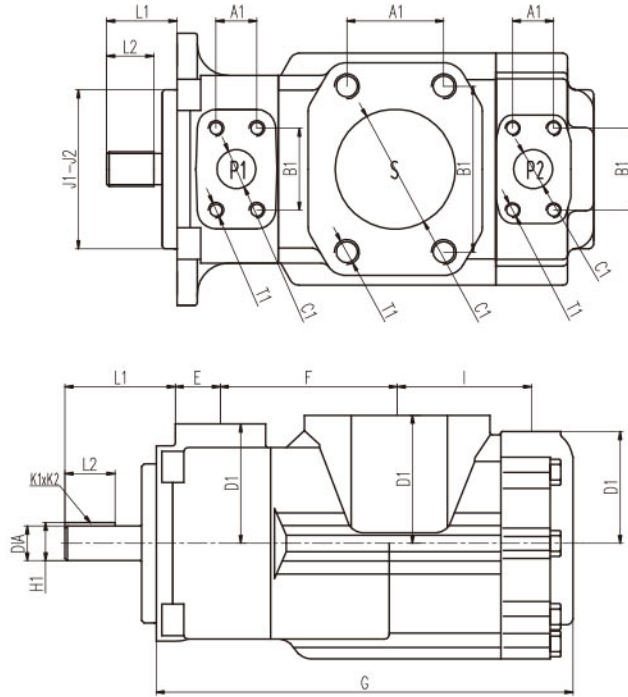
	T6EE	T6EES
E	42.9	42.9
F	167.3	167.3
G	406.8	406.8
I	157.9	157.9
J1	250.00	165.10
J2	249.93	165.05
N	222.7x222.7	224.5x224.5
O	273x273	273x273
ΦP	22	20.6

油口/Oil port			法兰 Flange	安装尺寸/Install Dimensions(mm)				
				A1	B1	ΦC1	D1	T1口螺纹 Thread
T6CC	P1	1"	F08	26.2	52.4	25.4	76.2	3/8"-16UNCx19.0 (M10x19)
		3/4"	F06	22.2	47.6	19.0	76.2	
	P2	1"	F08	26.2	52.4	25.4	74.7	3/8"-16UNCx19.0(M10x19)
		3"	F24	61.9	106.4	76.2	84.1	
S	2-1/2"	F20	50.8	88.9	63.5	84.1	1/2"-13UNCx23.9(M12x24)	
	3"	F24	61.9	106.4	76.2	84.1	5/8"-11UNCx28.4(M12x28)	
T6DC	P1	1-1/4"	F10	30.2	58.7	31.8	82.6	7/16"-14UNCx22.3(M12x22)
		3/4"	F06	22.2	47.6	19.0	74.7	
	P2	1"	F08	26.2	52.4	25.4	74.7	3/8"-16UNCx19.0(M10x19)
3"		F24	61.9	106.4	76.2	88.9		
T6EC	P1	1-1/2"	F12	35.7	69.9	38.1	98.6	1/2"-13UNCx23.4
		1"	F08	26.2	52.4	25.4	74.7	
	S	3-1/2"	F28	69.9	120.7	88.9	102.4	5/8"-11UNCx29.5
T6ED	P1	1-1/2"	F12	35.7	69.9	38.1	98.6	1/2"-13UNCx23.4
		1-1/4"	F10	30.2	58.7	31.8	101.6	
	S	4"	F32	77.8	130.2	101.6	102.4	5/8"-11UNCx30.0
T6EE(S)	P1	1-1/2"	F12	35.7	69.9	38.1	139.7	1/2"-13UNCx30
		1-1/2"	F12	35.7	69.9	37.1	98.6	
	S	4"	F32	77.8	130.2	101.6	115	5/8"-11UNCx30

安装连接尺寸

INSTALLATION DIMENSIONS

T7BB、T7BBS
T7DB、T7DBS
T7EB、T7EBS
T67CB
T67DB
T67EB



	T7BB	T7BBS	T67CB
E	38.1	38.1	38.1
F	101.6	101.6	101.6
G	262.2	262.2	265.6
I	98.6	98.6	88.2
J1	100.00	101.60	101.60
J2	99.97	101.55	101.55
N	140.0	146.0	146.0
O	174.5	174.5	174.5
ΦP	14.0	14.3	14.3

	T7DB	T7DBS	T67DB
E	38.1	38.1	38.1
F	114.3	114.3	114.3
G	286.0	286.0	286.0
I	109.5	109.5	109.5
J1	125.00	127.00	127.00
J2	124.94	126.95	126.95
N	180.0	181.0	181.0
O	212.4	212.4	212.4
ΦP	18.0	17.5	17.5

	T7EB	T7EBS	T67EB
E	52.3	52.3	52.3
F	118.5	118.5	118.5
G	331.6	331.6	331.6
I	136.7	136.7	136.7
J1	125.00	127.00	127.00
J2	124.94	126.95	126.95
N	180.0	181.0	181.0
O	213.0	213.0	213.0
ΦP	18.0	17.5	17.5

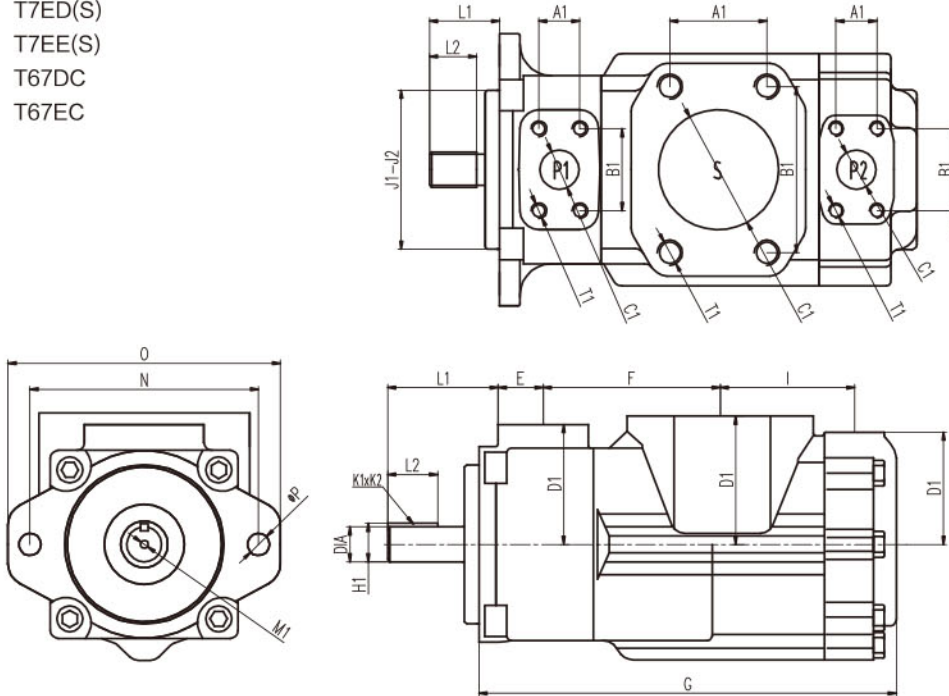
	代号/Code	P1	P2	S
T7BB(S)	00(OM)	1"	3/4"	2-1/2"
	01(M1)	3/4"	3/4"	2-1/2"

油口/Oil port		法兰 Flange	安装尺寸/Install Dimensions(mm)					
			A1	B1	ΦC1	D1	T1口螺纹Thread	
T7BB(S)	P1	1"	F08	26.2	52.4	25.4	76.2	3/8"-16UNCx19.0 (M10x19)
		3/4"	F06	22.2	47.6	19.0	76.2	
	P2	3/4"	F06	22.2	47.6	19.0	76.2	3/8"-16UNCx19.0(M10x19)
	S	2-1/2"	F20	50.8	88.9	63.5	84.1	1/2"-13UNCx23.9(M12x24)
T7DB(S)	P1	1-1/4"	F10	30.2	58.7	31.8	82.6	7/16"-14UNCx22.3(M12x22)
		3/4"	F06	22.2	47.6	19.0	74.7	
	P2	1"	F08	26.2	52.4	25.4	74.7	3/8"-16UNCx19.0(M10x19)
	S	3"	F24	61.9	106.4	76.2	88.9	5/8"-11UNCx29(M16x29)
T67CB	P1	1"	F08	26.2	52.4	25.4	76.2	3/8"-16UNCx19.0(M10x19)
		3/4"	F06	22.2	47.6	19.0	76.2	
	P2	3/4"	F06	22.2	47.6	19.0	76.2	3/8"-16UNCx19.0(M10x19)
	S	2-1/2"	F20	50.8	88.9	63.5	84.1	1/2"-13UNCx23.9(M12x30)
T67DB	P1	1-1/4"	F10	30.2	58.7	31.8	82.6	7/16"-14UNCx22.3
		3/4"	F06	22.2	47.6	19.0	76.2	
	P2	3/4"	F06	22.2	47.6	19.0	76.2	3/8"-16UNCx19.0
	S	3"	F24	61.9	106.4	76.2	88.9	1/2"-13UNCx23.9
T67EB	P1	1-1/2"	F12	35.7	69.9	38.1	98.6	1/2"-13UNCx23.4
		3/4"	F06	22.2	47.6	19.0	76.2	
	P2	3/4"	F06	22.2	47.6	19.0	76.2	3/8"-16UNCx19.0
	S	3-1/2"	F28	69.9	120.7	88.9	102.4	5/8"-11UNCx24.0
T7EB(S)	P1	1-1/2"	F12	35.7	69.9	38.1	98.6	1/2"-13UNCx23.4
		3/4"	F06	22.2	47.6	19.0	74.7	
	P2	3/4"	F06	22.2	47.6	19.0	74.7	3/8"-16UNCx19.0
	S	3-1/2"	F28	69.9	120.7	88.9	102.4	5/8"-11UNCx29.5

安装连接尺寸

INSTALLATION DIMENSIONS

T7DD(S)
T7ED(S)
T7EE(S)
T67DC
T67EC



	T7DD	T7DDS	T67DC
E	38.3	38.3	38.1
F	148.3	148.3	114.3
G	347.7	347.7	286.0
I	134.2	134.2	109.5
J1	125.000	127.00	127.00
J2	124.937	126.95	126.95
N	180.0	181.0	181.0
O	213.0	213.0	212.4
ΦP	14.0	14.3	17.5

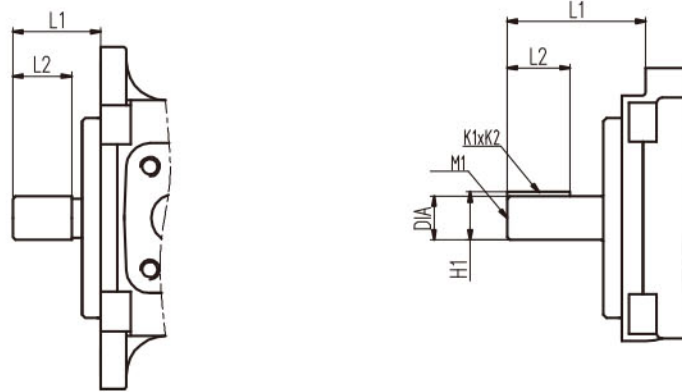
	T7ED	T7EDS	T67EC
E	52.3	52.3	52.3
F	133.5	133.5	118.5
G	361.0	361.0	331.6
I	148.2	148.2	136.7
J1	125.00	127.00	127.00
J2	124.94	126.95	126.95
N	180.0	181.0	181.0
O	213.0	213.0	213.0
ΦP	18.0	17.5	17.5

	T7EE	T7EES
E	42.9	42.9
F	167.3	167.3
G	406.8	406.8
I	157.9	157.9
J1	250.00	165.10
J2	249.93	165.05
N	222.7x222.7	224.5x224.5
O	273x273	273x273
ΦP	22	20.6

油口/Oil port			法兰 Flange	安装尺寸/Install Dimensions(mm)				
				A1	B1	ΦC1	D1	T1口螺纹 Thread
T7DD(S)	P1	1-1/4"	F10	30.2	58.7	31.8	101.6	7/16"-14UNCx22.3
	P2	1-1/4"	F10	30.2	58.7	31.8	101.6	7/16"-14UNCx24
	S	4"	F32	77.8	130.2	101.6	114.9	5/8"-11UNCx30
T7ED(S)	P1	1-1/2"	F12	35.7	69.9	37.1	98.6	1/2"-13UNCx23.4
	P2	1-1/4"	F10	30.2	58.7	31.8	101.6	7/16"-14UNCx24
	S	4"	F32	77.8	130.2	101.6	102.4	5/8"-11UNCx30
T7EE(S)	P1	1-1/2"	F12	35.7	69.9	38.1	139.7	M12x30
	P2	1-1/2"	F12	35.7	69.9	37.1	98.6	M12x30
	S	4"	F32	77.8	130.2	101.6	115	M16x30
T67DC	P1	1-1/4"	F10	30.2	58.7	31.8	82.6	7/16"-14UNCx22.3
	P2	1"	F08	26.2	52.4	25.4	74.7	3/8"-16UNCx19.0
	S	3"	F24	61.9	106.4	76.2	88.9	5/8"-11UNCx28.5
T67EC	P1	1-1/2"	F12	35.7	69.9	37.1	98.6	1/2"-13UNCx23.4
	P2	1"	F08	26.2	52.4	25.4	74.7	3/8"-16UNCx19.0
	S	3-1/2"	F28	69.9	120.7	88.9	102.4	5/8"-11UNCx29.5

安装连接尺寸

INSTALLATION DIMENSIONS



轴伸/Shaft extension

型号 Model	轴伸尺寸 Shaft code	最大扭矩 Max torque (N.m)	L1	L2	DIA	K1xK2	H1	M1
T7BB	5	●	70.0	40.0	25.006/24.993	8.00x7.00	28.22	-
T7BBS	1	238	58.2	31.7	22.225/22.200	4.76x4.71	24.53	-
	2	357	71.4	38.1	25.400/25.370	6.35x6.30	28.22	M8x16
	3	●	40.7	24.5	SAE J498b class1, 径节Diametral pitch 16/32, 13T			-
	4	●	45.5	24.5	SAE J498b class1, 径节Diametral pitch 16/32, 15T			-
T7DB	5	●	87.9	50.0	32.018/32.002	10.00x8.00	35.0	M10x20
T7DBS	1	●	83.6	49.3	31.75/31.70	7.94x7.89	35.27	M10x20
	2	●	73.2	38.1	31.75/31.70	7.94x7.89	35.27	-
	3	●	55.2	38.0	SAE J498b class1, 径节Diametral pitch 12/24, 14T			-
	4	●	77.7	48.02	SAE J498b class1, 径节Diametral pitch 12/24, 14T			-
T7DD	5	●	68.0	50.0	31.018/32.002	10.00x8.00	35.0	M10x20
T7DDS	1	●	84.0	49.3	31.75/31.70	7.94x7.89	35.27	M10x20
	2	●	91.0	50.8	38.10/38.05	9.52x9.47	40.36	M10x20
	3	●	56.0	38.0	SAE J498b class1, 径节Diametral pitch 12/24, 14T			-
	4	●	46.0	24.5	SAE J498b class1, 径节Diametral pitch 16/32, 15T			-
T7EB, T7ED	5	●	90.0	50.0	38.018/38.002	10.00x8.00	41.3	M10x20
T7EBS, T7EDS	1	●	90.9	50.8	38.10/38.05	9.52x9.47	42.36	M10x20
	2	●	61.9	38.1	31.75/31.70	7.94x7.89	35.27	-
	3	●	55.9	38.1	SAE J498b class1, 径节Diametral pitch 12/24, 14T			-
	4	●	62.2	31.5	SAE J498b class1, 径节Diametral pitch 12/24, 17T			-
T7EE	2	●	92.0	63.0	45.000/44.975	14.00x9.00	48.5	M12x24
T7EES	1	●	90.9	63.5	38.100/38.075	9.52x9.47	42.36	M10x20
	3	●	62.2	31.5	SAE J498b class1, 径节Diametral pitch 12/24, 17T			-
	4	●	75.0	48.8	SAE J498b class1, 径节Diametral pitch 8/16, 13T			-
	5	●	58.2	31.7	22.225/22.200	4.76x4.71	24.53	-
T67CB, T6CC	2	357	71.4	38.1	25.400/25.370	6.35x6.30	28.22	M8x16
	3	545	45.5	24.5	SAE J498b class1, 径节Diametral pitch 16/32, 15T			-
	5	343	40.7	24.5	SAE J498b class1, 径节Diametral pitch 16/32, 13T			-
	1	721	83.6	49.3	31.750/31.700	7.94x7.89	35.27	M10x20
T67DB, T67DC, T6DC	2	577	73.2	38.1	31.750/31.700	7.94x7.89	35.27	-
	3	●	55.2	38.0	SAE J498b class1, 径节Diametral pitch 12/24, 14T			-
	4	●	77.7	48.0	SAE J498b class1, 径节Diametral pitch 12/24, 14T			-
	5	●	83.4	60.0	34.900/34.875	7.94x7.89	38.42	M8x16
	1	●	90.9	50.8	38.100/38.050	9.52x9.47	42.36	M10x20
T67EB, T67EC, T6EC, T6ED	2	577	61.9	38.1	31.750/31.700	7.94x7.89	35.27	-
	3	●	55.7	38.0	SAE J498b class1, 径节Diametral pitch 12/24, 14T			-
	4	●	62.2	31.5	SAE J498b class1, 径节Diametral pitch 12/24, 17T			-

- 能在最大流量, 最高压力下工作
Work at maximum flow and pressure.