

T6,T7 系列柱销式叶片泵

T6,T7 SERIES-PIN VANE PUMPS

适用于塑胶机械、压铸机械、冶金机械、炼油机械、压力机械、工程机械及船舶机械等的高压高性能柱销式叶片泵。

High pressure and high performance dowel pin type vane pumps are widely used for plastic machinery, casting machinery, metallurgy machinery, pressing machinery, refining machinery, construction machinery, marine-Machinery.

主要特点为：

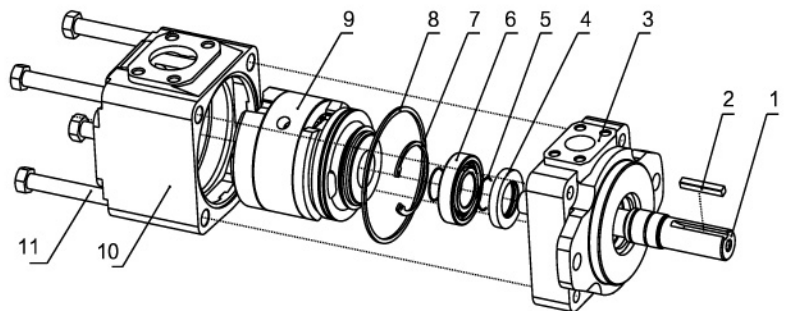
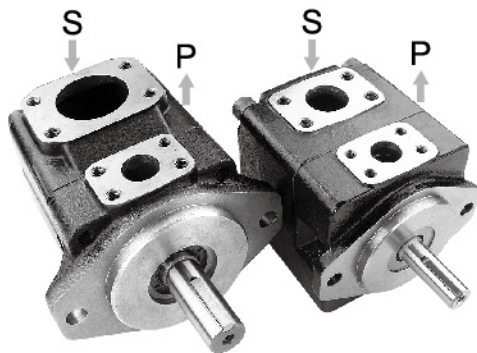
- 1、采用柱销式叶片的结构，其工作压力更高，噪声更低，寿命更长。
- 2、适应液压介质的粘度范围大，能在低温下启动和高温下运行。
- 3、采用双唇结构的叶片，抗污染能力强，转速范围宽。

Features

1. With dowel pin vane structure, it can work in high pressure, low noise and long lifetime.
2. This vane pump can fit wide viscosity hydraulic medium, and be started at low temperature and work at high temperature.
3. As the vane pump adopts bilabial structure vane, it has high oil pollution resistance and wide speed scope.

T6,T7 系列单泵

T6,T7 SERIES-SINGLE PUMPS



序号 NO.	名称 Part	数量 Qty
1	轴 shaft	1
2	平键 straight key	1
3	前盖 front cover	1
4	油封 shaft seal	1

序号 NO.	名称 Part	数量 Qty
5	轴用钢丝挡圈 cir clip for shaft	2
6	滚动轴承 ball bearing	1
7	孔用弹性挡圈 cir clip for hole	1
8	矩形密封圈 rectangle seal ring	1

序号 NO.	名称 Part	数量 Qty
9	泵芯 cartridge kit	1
10	后盖 rear cover	1
11	外六角头螺栓 Hexagon head bolt	4

型号说明

MODEL CODE

T7B	S	-B10	-1	R	00	-A	1	01		
系列号 Series	类别代号 Type Code	排量代号 Flow code	轴伸形式 Shaft type	旋转方向 Rotation	出油口位置 Outlet positions	设计号 Design number	密封等级 Sealing Level	油口尺寸 Port dimensions		
T7B	无 No: ISO 3019 安装法兰 Installation Flange	B02, B03, B04, B05, B06, B07, B08, B10, B12, B15, B20	见轴伸尺寸 See of shaft	(从泵的轴端看) (Viewed from shaft end of pump)	(从泵的轴端看) (Viewed from shaft end of pump)	A	1-S1, 丁腈橡胶 NBR Nitrile rubber	00、01, 见安装 连接尺寸 See installation dimensions		
T7D	S: SAE J744 安装法兰 installation flange	B14, B17, B20, B22, B24, B28, B31, B35, B38, B42								
T7E		042, 045, 050, 052, 054, 057, 062, 066, 072, 085								
T6C	无: 工业用型 M: 车用型 P: 双重油封 车用型	003/B03, 005/B05, 006/B06, 008/B08, 010/B10, 012/B12, 014/B14, 017/B17, 020/B20, 022/B22, 025/B25, 028/B28, 031/B31						R-顺时针旋转 right hand for clockwise L-逆时针旋转 left hand for counter- clockwise	00-进油口对面 Opposite inlet port 01-进油口同侧 Inline with inlet 02-从进油口逆时针90° 90° CCW from inlet 03-从进油口顺时针90° 90° CW from inlet	无此选项 No
T6D	NO: industrial type M: truck type P: truck type double seal kits	014/B14, 017/B17, 020/B20, 024/B24, 028/B28, 031/B31, 035/B35, 038/B38, 042/B42, 045/B45, 050/B50, 061								
T6E		042, 045, 050, 052, 057, 062, 066, 072, 085								

003/B03 排量代号中0表示单转向型配流侧板结构, B表示双转向型配流侧板结构
In displacement code, 0 means single steering valve plate structure, B means the two steering valve plate structure.

技术参数

TECHNICAL DATA

系列号 series	排量代号 Flow code (USgpm)	理论排量 Geometric displace- ment mL/r	最高压力/Max.pressure Mpa						最高转速/Max.speed r/min		最低转速 Min. speed r/min
			抗磨液压油 Antiwear hydraulic oil		普通液压油和磷酸酯液 General hydraulic oil or phosphate ester fluid		水乙二醇和油包水乳化液 Water glycol fluid or water-oil emulsions		普通液压油和 抗磨液压油 General hydraulic oil or antiwear hydraulic oil	水乙二醇、磷酸酯 液和油包水乳化液 Water glycol fluid or phosphate ester fluid or water-oil emulsions	
			间歇	连续	间歇	连续	间歇	连续			
			Instant	Continuous	Instant	Continuous	Instant	Continuous			
T7B T7BS	B02	5.8	35	32	24	21	17.5	14	3600	1800	600
	B03	9.8									
	B04	12.8									
	B05	15.9									
	B06	19.8									
	B07	22.5									
	B08	24.9									
	B10	31.8									
	B12	41.0	30	27.5	24	21	17.5	14	3000	1800	600
	B15	50.0	28	24							
B20	63.0										
T7D T7DS	B14	44.0	30	25	24	21	17.5	14	3000	1800	600
	B17	55.0									
	B20	66.0									
	B22	70.3									
	B24	81.1									
	B28	90.0									
	B31	99.2									
	B35	113.4	28	25	24	21	17.5	14	2800	1800	600
	B38	120.6									
B42	137.5	26	23								
T7E T7ES	042	132.3	24	21	21	17.5	17.5	14	2200	1800	600
	045	142.4									
	050	158.5									
	052	164.8									
	054	171.0									
	057	183.3									
	062	196.7									
	066	213.3									
	072	227.1									
	085	268.7	9	7.5	7.5	7.5	7.5	7.5	2000	1800	600

技术参数

TECHNICAL DATA

系列号 series	排量代号 Flow code (USgpm)	理论排量 Geometric displace- ment mL/r	最高压力/Max.pressure Mpa						最高转速/Max.speed r/min		最低转速 Min. speed r/min
			抗磨液压油 Antiwear hydraulic oil		普通液压油和磷酸酯液 General hydraulic oil or phosphate ester fluid		水乙二醇和油包水乳化液 Water glycol fluid or water-oil emulsions		普通液压油和 抗磨液压油 General hydraulic oil or antiwear hydraulic oil	水乙二醇、磷酸酯 液和油包水乳化液 Water glycol fluid or phosphate ester fluid or water-oil emulsions	
			间歇	连续	间歇	连续	间歇	连续			
			Instant	Continuous	Instant	Continuous	Instant	Continuous			
T6C	003/B03	10.8	28	24	21	17.5	17.5	14	2800	1800	600
	005/B05	17.2									
	006/B06	21.3									
	008/B08	26.4									
	010/B10	34.1									
	012/B12	37.1									
	014/B14	46.0									
	017/B17	58.3									
	020/B20	63.8									
	022/B22	70.3									
	025/B25	79.3									
	028/B28	88.8	21	16	21	16	17.5	14	2500	1800	600
	031/B31	100.0									
T6D	014/B14	47.6	25	21	21	17.5	17.5	14	2500	1800	600
	017/B17	58.2									
	020/B20	66.0									
	024/B24	79.5									
	028/B28	89.7									
	031/B31	98.3									
	035/B35	111.0									
	038/B38	120.3									
	042/B42	136.0									
	045/B45	145.7									
	050/B50	158.0									
	061	190.5	12	8	8	8	7.5	7.5	2200	1800	600
T6E	042	132.3	25	21	21	17.5	17.5	14	2200	1800	600
	045	142.4									
	050	158.5									
	052	164.8									
	057	179.8									
	062	196.7									
	066	213.3									
	072	227.1									
	085	269.0									
	085	269.0	12	8	12	8	7.5	7.5	2000	1800	600

003/B03 排量代号中0表示单转向型配流侧板结构，B表示双转向型配流侧板结构
 In displacement code, 0 means single steering valve plate structure, B means the two steering valve plate structure.

工作性能

OPERATION PERFORMANCE

使用抗磨液压油, 油液粘度24cst时。Using the anti-wear hydraulic oil, the oil viscosity 24cst.

系列 Series	理论排量 Geological Displaceme-nt mL/rev	转速 Rotation speed r/min	流量/Flow (L/min)							输入功率 /Input Power (KW)						
			P=0 MPa	P=7 MPa	P=14 MPa	P=21 MPa	P=24 MPa	P=28 MPa	P=32 MPa	P=0.7 MPa	P=7 MPa	P=14 MPa	P=21 MPa	P=24 MPa	P=28 MPa	P=32 MPa
			L/min	L/min	L/min	L/min	L/min	L/min	L/min	KW	KW	KW	KW	KW	KW	KW
T7B(S)-B02	5.8	1000	5.8	4.9	4.2	3.3	-	-	-	0.2	0.9	1.7	2.5	-	-	-
		1200	7.0	6.1	5.4	4.5	4.0	-	-	0.4	1.3	2.2	3.2	3.6	-	-
		1500	8.7	7.8	7.1	6.2	5.7	5.2	4.7	0.6	1.7	2.8	4.0	4.5	5.2	5.9
		1800	10.4	9.5	8.8	7.9	7.4	6.9	6.4	0.7	2.0	3.4	5.0	5.6	6.4	7.2
T7B(S)-B03	9.8	1000	9.8	8.9	8.2	7.3	6.8	6.3	5.8	0.2	1.3	2.6	3.9	4.5	5.2	6.0
		1200	11.8	10.9	10.2	9.3	8.8	8.3	7.8	0.4	1.8	3.3	4.9	5.5	6.4	7.3
		1500	14.7	13.8	13.1	12.2	11.7	11.2	10.7	0.7	2.4	4.2	6.1	6.9	8.0	9.1
		1800	17.6	16.7	16.0	15.1	14.6	14.1	13.6	0.8	2.8	5.1	7.5	8.5	9.7	11.0
T7B(S)-B04	12.8	1000	12.8	11.9	11.2	10.3	9.8	9.3	8.8	0.2	1.7	3.3	5.0	5.7	6.6	7.6
		1200	15.4	14.5	13.8	12.9	12.4	11.9	11.4	0.5	2.2	4.2	6.1	6.9	8.1	9.2
		1500	19.2	18.3	17.6	16.7	16.2	15.7	15.2	0.7	2.9	5.3	7.7	8.7	10.1	11.5
		1800	23.0	22.1	21.4	20.5	20.0	19.5	19.0	0.9	3.4	6.4	9.4	10.6	12.3	13.9
T7B(S)-B05	15.9	1000	15.9	15.0	14.3	13.4	12.9	12.4	11.9	0.3	2.1	4.1	6.0	6.9	8.1	9.2
		1200	19.1	18.2	17.5	16.6	16.1	15.6	15.1	0.5	2.7	5.0	7.4	8.4	9.8	11.2
		1500	23.9	23.0	22.3	21.4	20.9	20.4	19.9	0.8	3.4	6.4	9.3	10.6	12.3	14.0
		1800	28.6	27.7	27.0	26.1	25.6	25.1	24.6	0.9	4.1	7.7	11.3	12.8	14.9	16.9
T7B(S)-B06	19.8	1000	19.8	18.9	18.2	17.3	16.8	16.3	15.8	0.3	2.5	5.0	7.4	8.5	9.9	11.3
		1200	23.8	22.9	22.2	21.3	20.8	20.3	19.8	0.6	3.2	6.1	9.1	10.3	12.0	13.7
		1500	29.7	28.8	28.1	27.2	26.7	26.2	25.7	0.8	4.1	7.7	11.4	12.9	15.0	17.1
		1800	35.6	34.7	34.0	33.1	32.6	32.1	31.6	1.0	4.9	9.3	13.8	15.7	18.1	20.6
T7B(S)-B07	22.5	1000	22.5	21.6	20.9	20.0	19.5	19.0	18.5	0.4	2.8	5.6	8.3	9.6	11.2	12.8
		1200	27.0	26.1	25.4	24.5	24.0	23.5	23.0	0.6	3.6	6.9	10.2	11.6	13.5	15.4
		1500	33.8	32.9	32.2	31.3	30.8	30.3	29.8	0.9	4.6	8.7	12.8	14.6	16.9	19.3
		1800	40.5	39.6	38.9	38.0	37.5	37.0	36.5	1.1	5.5	10.5	15.5	17.6	20.4	23.2
T7B(S)-B08	24.9	1000	24.9	24.0	23.3	22.4	21.9	21.4	20.9	0.4	3.1	6.2	9.2	10.5	12.3	14.0
		1200	29.9	29.0	28.3	27.4	26.9	26.4	25.9	0.6	3.9	7.6	11.2	12.8	14.8	16.9
		1500	37.4	36.5	35.8	34.9	34.4	33.9	33.4	0.9	5.0	9.5	14.1	16.0	18.6	21.2
		1800	44.8	43.9	43.2	42.3	41.8	41.3	40.8	1.1	6.0	11.5	17.0	19.3	22.4	25.5
T7B(S)-B10	31.8	1000	31.8	30.9	30.2	29.3	28.8	28.3	27.8	0.5	3.9	7.8	11.6	13.3	15.5	17.7
		1200	38.2	37.3	36.6	35.7	35.2	34.7	34.2	0.7	4.9	9.5	14.1	16.1	18.7	21.4
		1500	47.7	46.8	46.1	45.2	44.7	44.2	43.7	1.1	6.2	11.9	17.7	20.1	23.4	26.7
		1800	57.2	56.3	55.6	54.7	54.2	53.7	53.2	1.3	7.4	14.4	21.3	24.3	28.2	32.1
T7B(S)-B12	41.0	1000	41.0	40.1	39.4	38.5	38.0	37.5	-	0.6	5.0	9.9	14.8	17.0	19.8	-
		1200	49.2	48.3	47.6	46.7	46.2	45.7	-	0.9	6.2	12.1	18.0	20.5	23.9	-
		1500	61.5	60.6	59.9	59.0	58.5	58.0	-	1.2	7.8	15.2	22.5	25.7	29.9	-
		1800	73.8	72.9	72.2	71.3	70.8	70.3	-	1.5	9.4	18.2	27.1	30.9	35.9	-
T7B(S)-B15	50.0	1000	50.0	49.1	48.4	47.5	47.0	46.5	-	0.7	6.0	12.0	18.0	20.6	24.0	-
		1200	60.0	59.1	58.4	57.5	57	56.5	-	1.0	7.4	14.6	21.7	24.8	28.9	-
		1500	75.0	74.1	73.4	72.5	72.0	71.5	-	1.4	9.4	18.3	27.2	31.1	36.2	-
		1800	90.0	89.1	88.4	87.5	87.0	86.5	-	1.7	11.3	22.0	32.8	37.4	43.5	-
T7B(S)-B20	63.0	1500	94.5	92.6	91.2	90.0	89.2	88.5	-	1.8	12.5	22.8	33.2	38.1	44.8	-

工作性能

OPERATION PERFORMANCE

使用抗磨液压油，油液粘度24cst时。Using the anti-wear hydraulic oil, the oil viscosity 24cst.

系列 Series	理论排量 Geological Displaceme-nt mL/rev	转速 Rotation speed r/min	流量/Flow (L/min)		
			P=0 MPa	P=14 MPa	P=30 MPa
			L/min	L/min	L/min
T7D(S)-B14	44.0	1000	44.0	37.4	29.9
		1200	52.8	46.2	38.7
		1500	66.0	59.4	51.9
		1800	79.2	72.6	65.1
T7D(S)-B17	55.0	1000	55.0	48.4	40.9
		1200	66.0	59.4	51.9
		1500	82.5	75.9	68.4
		1800	99.0	92.4	84.9
T7D(S)-B20	66.0	1000	66.0	59.4	51.9
		1200	79.2	72.6	65.1
		1500	99.0	92.4	84.9
		1800	118.8	112.2	104.7
T7D(S)-B22	70.3	1000	70.3	63.7	56.2
		1200	84.4	77.8	70.3
		1500	105.5	98.8	91.4
		1800	126.5	119.9	112.4
T7D(S)-B24	81.1	1000	81.1	74.5	67
		1200	97.3	90.7	83.2
		1500	121.7	115.1	107.6
		1800	146.0	139.4	131.9
T7D(S)-B28	90.0	1000	90.0	83.4	75.9
		1200	108.0	101.4	93.9
		1500	135.0	128.4	120.9
		1800	162.0	155.4	147.9
T7D(S)-B31	99.2	1000	99.2	92.6	85.1
		1200	119.8	113.2	105.7
		1500	148.8	142.2	134.7
		1800	178.6	172.0	164.5
T7D(S)-B35	113.4	1000	113.4	106.8	-
		1200	136.1	129.5	-
		1500	170.1	163.5	-
		1800	204.1	197.5	-
T7D(S)-B38	120.6	1000	120.6	114.0	-
		1200	144.7	138.1	-
		1500	180.9	174.3	-
		1800	217.1	210.5	-
T7D(S)-B42	137.5	1000	137.5	130.9	-
		1200	165.0	158.4	-
		1500	206.3	199.7	-
		1800	247.5	240.9	-

系列 Series	输入功率 /Input Power (KW)		
	P=0.7 MPa	P=14 MPa	P=30 MPa
	KW	KW	KW
T7D(S)-B14	1.5	16.6	34.2
T7D(S)-B17	1.7	20.4	42.4
T7D(S)-B20	1.9	24.3	50.7
T7D(S)-B22	2.0	25.8	53.9
T7D(S)-B24	2.2	29.5	62.0
T7D(S)-B28	2.3	32.7	68.7
T7D(S)-B31	2.5	35.9	75.6
T7D(S)-B35	2.7	40.8	-
T7D(S)-B38	2.9	43.4	-
T7D(S)-B42	3.2	49.3	-

工作性能

OPERATION PERFORMANCE

使用抗磨液压油, 油液粘度24cst时。Using the anti-wear hydraulic oil, the oil viscosity 24cst.

系列 Series	理论排量 Geological Displaceme-nt mL/rev	转速 Rotation speed r/min	流量/Flow (L/min)		
			P=0 MPa	P=14 MPa	P=24 MPa
			L/min	L/min	L/min
T7E(S)-042	132.3	1000	132.3	122.3	115.2
		1200	158.8	150.8	143.7
		1500	198.5	188.5	181.4
		1800	238.1	228.1	221.0
T7E(S)-045	142.4	1000	142.4	132.4	125.3
		1200	170.9	160.9	153.8
		1500	213.6	203.6	196.5
		1800	256.3	246.3	239.2
T7E(S)-050	158.5	1000	158.5	148.5	141.4
		1200	190.2	180.2	173.1
		1500	237.7	227.7	220.6
		1800	285.3	275.3	268.2
T7E(S)-052	164.8	1000	164.8	154.8	147.7
		1200	197.8	187.8	180.7
		1500	247.2	237.2	230.1
		1800	296.6	286.6	279.5
T7E(S)-054	171.0	1000	171.0	161.0	153.9
		1200	205.2	195.2	188.1
		1500	256.5	246.5	239.4
		1800	307.8	297.8	290.7
T7E(S)-057	183.3	1000	183.3	173.3	166.2
		1200	220.0	210.0	202.9
		1500	275.0	265.0	257.9
		1800	330.0	320.0	312.9
T7E(S)-062	196.7	1000	196.7	186.7	179.6
		1200	236.0	226.0	218.9
		1500	295.0	285.0	277.9
		1800	354.1	344.1	337.0
T7E(S)-066	213.3	1000	213.3	203.3	196.2
		1200	256.0	246.0	238.9
		1500	319.9	309.0	302.8
		1800	384.0	374.0	366.9
T7E(S)-072	227.1	1000	227.1	217.1	210.0
		1200	272.5	262.5	255.4
		1500	340.6	330.6	323.5
		1800	408.8	398.8	391.7
T7E(S)-085*	268.7	1000	268.7	-	-
		1200	322.4	-	-
		1500	403.0	-	-
		1800	483.7	-	-

系列 Series	输入功率 /Input Power (KW)		
	P=0.7 MPa	P=14 MPa	P=24 MPa
	KW	KW	KW
T7E(S)-042	5.2	49.4	82.6
T7E(S)-045	5.4	52.9	88.7
T7E(S)-050	5.7	58.5	50.7
T7E(S)-052	5.8	60.8	102.1
T7E(S)-054	5.9	63.0	105.8
T7E(S)-057	6.1	67.3	113.2
T7E(S)-062	6.4	71.9	121.3
T7E(S)-066	6.7	77.7	131.2
T7E(S)-072	6.9	82.6	139.5
T7E(S)-085	9.1	-	-

085* 最大转速2000r/min, 最大间歇压力9MPa
The max rotation speed is 2000r/min, and the max intermittent pressure is 9MPa.

工作性能

OPERATION PERFORMANCE

使用抗磨液压油，油液粘度24cst时。Using the anti-wear hydraulic oil, the oil viscosity 24cst.

系列 Series	理论排量 Geological Displaceme-nt mL/rev	转速 Rotation speed r/min	流量/Flow (L/min)						输入功率 /Input Power (KW)					
			P=0 MPa	P=7 MPa	P=14 MPa	P=21 MPa	P=24 MPa	P=28 MPa	P=0 MPa	P=7 MPa	P=14 MPa	P=21 MPa	P=24 MPa	P=28 MPa
			L/min	L/min	L/min	L/min	L/min	L/min	KW	KW	KW	KW	KW	KW
T6C-003 T6C-B03	10.8	1000	10.8	8.3	5.8	-	-	-	0.9	2.2	3.7	-	-	-
		1200	13.0	10.5	8.0	-	-	-	1.1	2.6	4.4	-	-	-
		1500	16.2	13.7	11.2	8.7	8.2	-	1.3	3.3	5.4	7.6	8.5	-
		1800	19.4	16.9	14.4	11.9	11.4	10.3	1.7	4.0	6.4	8.9	10.0	11.5
T6C-005 T6C-B05	17.2	1000	17.2	14.7	12.2	9.7	9.2	-	1.0	3.0	5.2	7.4	8.4	-
		1200	20.6	18.1	15.6	13.1	12.6	11.5	1.1	3.5	6.2	8.8	10.0	11.5
		1500	25.8	23.3	20.8	18.3	17.8	16.7	1.4	4.4	7.7	10.9	12.3	14.1
		1800	31.0	28.5	26.0	23.5	23.0	21.9	1.9	5.3	9.1	13.0	14.6	16.8
T6C-006 T6C-B06	21.3	1000	21.3	18.8	16.3	13.8	13.3	12.2	1.0	3.4	6.1	8.9	10.0	11.5
		1200	25.6	23.1	20.6	18.1	17.6	16.5	1.2	4.1	7.3	10.5	11.9	13.8
		1500	32.0	29.5	27.0	24.5	24.0	22.9	1.5	5.1	9.1	13.1	14.8	17.0
		1800	38.3	35.8	33.3	30.8	30.3	29.2	1.9	6.2	10.8	15.6	17.6	20.3
T6C-008 T6C-B08	26.4	1000	26.4	23.9	21.4	18.9	18.4	17.3	1.1	4.0	7.3	10.6	12.0	13.9
		1200	31.7	29.2	26.7	24.2	23.7	22.6	1.3	4.8	8.7	12.7	14.4	16.6
		1500	39.6	37.1	34.6	32.1	31.6	30.5	1.6	6.0	10.9	15.8	17.8	20.6
		1800	47.5	45.0	42.5	40.0	39.5	38.4	2.1	7.2	13.0	18.8	21.3	24.6
T6C-010 T6C-B10	34.1	1000	34.1	31.6	29.1	26.6	26.1	25.0	1.2	4.9	9.1	13.3	15.1	17.5
		1200	40.9	38.4	35.9	33.4	32.9	31.8	1.4	5.9	10.9	15.9	18.1	20.9
		1500	51.2	48.7	46.2	43.7	43.2	42.1	1.7	7.3	13.6	19.8	22.5	26.0
		1800	61.4	58.9	56.4	53.9	53.4	52.3	2.2	8.9	16.2	23.6	26.8	31.0
T6C-012 T6C-B12	37.1	1000	37.1	34.6	32.1	29.6	29.1	28.0	1.2	5.3	9.8	14.4	16.3	18.9
		1200	44.5	42.0	39.5	37.0	36.5	35.4	1.4	6.3	11.7	17.2	19.5	22.6
		1500	55.7	53.2	50.7	48.2	47.7	46.6	1.7	7.9	14.6	21.4	24.3	28.1
		1800	66.8	64.3	61.8	59.3	58.8	57.7	2.3	9.5	17.5	25.5	29.0	33.6
T6C-014 T6C-B14	46.0	1000	46.0	43.5	41.0	38.5	38.0	36.9	1.3	6.3	11.9	17.5	19.9	23.1
		1200	55.2	52.7	50.2	47.7	47.2	46.1	1.5	7.6	14.2	20.9	23.8	27.6
		1500	69.0	66.5	64.0	61.5	61.0	59.9	1.9	9.4	17.7	26.1	29.6	34.3
		1800	82.8	80.3	77.8	75.3	74.8	73.7	2.5	11.4	21.2	31.1	35.4	41.0

工作性能

OPERATION PERFORMANCE

使用抗磨液压油，油液粘度24cst时。Using the anti-wear hydraulic oil, the oil viscosity 24cst.

系列 Series	理论排量 Geological Displacement mL/rev	转速 Rotation speed r/min	流量/Flow (L/min)						输入功率 /Input Power (KW)					
			P=0 MPa	P=7 MPa	P=14 MPa	P=21 MPa	P=24 MPa	P=28 MPa	P=0 MPa	P=7 MPa	P=14 MPa	P=21 MPa	P=24 MPa	P=28 MPa
			L/min	L/min	L/min	L/min	L/min	L/min	KW	KW	KW	KW	KW	KW
T6C-017 T6C-B17	58.3	1000	58.3	55.8	53.3	50.8	50.3	49.2	1.5	7.8	14.8	21.8	24.8	28.8
		1200	70.0	67.5	65.0	62.5	62.0	60.9	1.7	9.3	17.7	26.1	29.7	34.5
		1500	87.5	85.0	82.5	80.0	79.5	78.4	2.1	11.6	22.0	32.5	37.0	42.9
		1800	104.9	102.4	99.9	97.4	96.9	95.8	2.7	13.9	26.4	38.9	44.2	51.4
T6C-020 T6C-B20	63.8	1000	63.8	61.3	58.8	56.3	55.8	54.7	1.5	8.4	16.0	23.7	27.0	31.4
		1200	76.6	74.1	71.6	69.1	68.6	67.5	1.8	10.0	19.2	28.4	32.3	37.6
		1500	95.7	93.2	90.7	88.2	87.7	86.6	2.2	12.5	24.0	35.4	40.3	46.8
		1800	114.8	112.3	109.8	107.3	106.8	105.7	2.8	15.1	28.7	42.3	48.2	56.0
T6C-022 T6C-B22	70.3	1000	70.3	67.8	65.3	62.8	62.3	61.2	1.6	9.2	17.6	26.0	29.6	34.4
		1200	84.4	81.9	79.4	76.9	76.4	75.3	1.9	11.0	21.0	31.1	35.5	41.2
		1500	105.5	103.0	100.5	98.0	97.5	96.4	2.3	13.7	26.2	38.8	44.2	51.3
		1800	126.5	124.0	121.5	119.0	118.5	117.4	3.0	16.5	31.4	46.4	52.9	61.5
T6C-025 T6C-B25	79.3	1000	79.3	76.8	74.3	71.8	71.3	70.2	1.7	10.2	19.7	29.2	33.2	38.6
		1200	95.2	92.7	90.2	87.7	87.2	86.1	2.0	12.2	23.6	34.9	39.8	46.3
		1500	119.0	116.5	114.0	111.5	111.0	109.9	2.5	15.2	29.4	43.5	49.6	57.6
		1800	142.7	140.2	137.7	135.2	134.7	133.6	3.2	18.4	35.2	52.1	59.3	69.0
T6C-028* T6C-B28	88.8	1000	88.8	86.3	83.8	81.3	-	-	1.8	11.3	21.9	32.5	-	-
		1200	106.6	104.1	101.6	99.1	-	-	2.1	13.5	26.2	38.9	-	-
		1500	133.2	130.7	128.2	125.7	-	-	2.7	16.9	32.7	48.5	-	-
		1800	159.8	157.3	154.8	152.3	-	-	3.4	20.3	39.2	58.1	-	-
T6C-031* T6C-B31	100.0	1000	100.0	97.5	95.0	92.5	-	-	2.0	12.6	24.5	36.4	-	-
		1200	120.0	117.5	115.0	112.5	-	-	2.3	15.1	29.4	43.6	-	-
		1500	150.0	147.5	145.0	142.5	-	-	2.9	18.9	36.6	54.4	-	-
		1800	180.0	177.5	175.0	172.5	-	-	3.6	22.7	43.9	65.1	-	-

028* / 031* 最大间歇压力21MPa。
The max intermittent pressure is 21MPa.

- 因为内泄大于理论值的50%，故没有应用。
- AS the inner leakage is over 50% of theoretical value, so it is not used

工作性能

OPERATION PERFORMANCE

使用抗磨液压油, 油液粘度24cst时。Using the anti-wear hydraulic oil, the oil viscosity 24cst.

系列 Series	理论排量 Geological Displaceme-nt mL/rev	转速 Rotation speed r/min	流量/Flow (L/min)					输入功率 /Input Power (KW)				
			P=0 MPa	P=7 MPa	P=14 MPa	P=21 MPa	P=24 MPa	P=0 MPa	P=7 MPa	P=14 MPa	P=21 MPa	P=24 MPa
			L/min	L/min	L/min	L/min	L/min	KW	KW	KW	KW	KW
T6D-014 T6D-B14	47.6	1000	47.6	43.6	38.6	34.6	32.6	1.6	6.8	12.5	18.3	20.7
		1200	57.1	53.1	48.1	44.1	42.1	1.8	8.0	14.9	21.8	24.8
		1500	71.4	67.4	62.4	58.4	56.4	2.3	10.0	18.5	27.0	30.7
		1800	85.7	81.7	76.7	72.7	70.7	2.9	12.1	22.3	32.5	36.9
T6D-017 T6D-B17	58.2	1000	58.2	54.2	49.2	45.2	43.2	1.7	8.0	15.0	22.0	25.0
		1200	69.8	65.8	60.8	56.8	54.8	1.9	9.5	17.9	26.3	29.9
		1500	87.3	83.3	78.3	74.3	72.3	2.5	11.8	22.2	32.6	37.0
		1800	104.8	100.8	95.8	91.8	89.8	3.1	14.4	26.8	39.2	44.5
T6D-020 T6D-B20	66.0	1000	66.0	62.0	57.0	53.0	51.0	1.8	8.9	16.8	24.7	28.1
		1200	79.2	75.2	70.2	66.2	64.2	2.1	10.6	20.1	29.6	33.6
		1500	99.0	95.0	90.0	86.0	84.0	2.7	13.2	24.9	36.7	41.7
		1800	118.8	114.8	109.8	105.8	103.8	3.3	16.0	30.1	44.1	50.1
T6D-024 T6D-B24	79.5	1000	79.5	75.5	70.5	66.5	64.5	1.9	10.5	20.0	29.4	33.5
		1200	95.4	91.4	86.4	82.4	80.4	2.2	12.5	23.9	35.2	40.1
		1500	119.3	115.3	110.3	106.3	104.3	2.9	15.6	29.7	43.7	49.8
		1800	143.1	139.1	134.1	130.1	128.1	3.6	18.8	35.7	52.6	59.9
T6D-028 T6D-B28	89.7	1000	89.7	85.7	80.7	76.7	74.7	2.0	11.7	22.3	33.0	37.5
		1200	107.6	103.6	98.6	94.6	92.6	2.4	13.9	26.7	39.5	45.0
		1500	134.6	130.6	125.6	121.6	119.6	3.1	17.4	33.2	49.1	55.9
		1800	161.5	157.5	152.5	148.5	146.5	3.8	21.0	40.0	59.0	67.2
T6D-031 T6D-B31	98.3	1000	98.3	94.3	89.3	85.3	83.3	2.1	12.7	24.3	36.0	41.0
		1200	118.0	114.0	109.0	105.0	103.0	2.5	15.1	29.1	43.1	49.1
		1500	147.5	143.5	138.5	134.5	132.5	3.2	18.9	36.2	53.6	61.1
		1800	176.9	172.9	167.9	163.9	161.9	4.0	22.8	43.6	64.5	73.4
T6D-035 T6D-B35	111.0	1000	111.0	107.0	102.0	98.0	96.0	2.3	14.2	27.3	40.5	46.1
		1200	133.2	129.2	124.2	120.2	118.2	2.7	16.9	32.7	48.5	55.2
		1500	166.5	162.5	157.5	153.5	151.5	3.4	21.1	40.7	60.3	68.7
		1800	199.8	195.8	190.8	186.8	184.8	4.2	25.4	49.0	72.5	82.5
T6D-038 T6D-B38	120.3	1000	120.3	116.3	111.3	107.3	105.3	2.4	15.2	29.5	43.7	49.8
		1200	144.4	140.4	135.4	131.4	129.4	2.8	18.2	35.3	52.4	59.7
		1500	180.5	176.5	171.5	167.5	165.5	3.6	22.7	43.9	65.2	74.3
		1800	216.5	212.5	207.5	203.5	201.5	4.4	27.4	52.9	78.3	89.2
T6D-042 T6D-B42	136.0	1000	136.0	132.0	127.0	123.0	121.0	2.6	17.1	33.1	49.2	56.1
		1200	163.2	159.2	154.2	150.2	148.2	3.0	20.4	39.7	59.0	67.2
		1500	204.0	200.0	195.0	191.0	189.0	3.9	25.5	49.4	73.4	83.7
		1800	244.8	240.8	235.8	231.8	229.8	4.8	30.7	59.5	88.2	100.5
T6D-045 T6D-B045	145.7	1000	145.7	141.7	136.7	132.7	130.7	2.7	18.2	35.4	52.6	59.9
		1200	174.8	170.8	165.8	161.8	159.8	3.2	21.7	42.4	63.0	71.9
		1500	218.6	214.6	209.6	205.6	203.6	4.0	27.2	52.8	78.5	89.5
		1800	262.3	258.3	253.3	249.3	247.3	5.0	32.7	63.5	94.3	107.5
T6D-050* T6D-B50	158.0	1000	158.0	154.0	149.0	145.0	-	2.8	19.6	38.3	56.9	-
		1200	189.6	185.6	180.6	176.6	-	3.3	23.5	45.8	68.2	-
		1500	237.0	233.0	228.0	224.0	-	4.3	29.3	57.1	85.0	-
		1800	284.4	280.4	275.4	271.4	-	5.2	35.3	68.7	102.1	-
T6D-61 T6D-B61	189.5	1500	284.8	271.8	-	-	-	5.2	40.8	-	-	-

050 * 最大间歇压力21MPa
The max intermittent pressure is 21MPa

工作性能

OPERATION PERFORMANCE

使用抗磨液压油, 油液粘度24cst时。Using the anti-wear hydraulic oil, the oil viscosity 24cst.

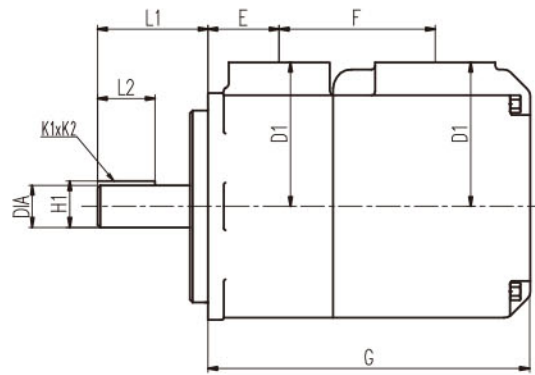
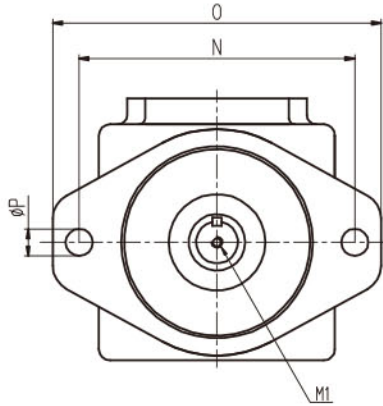
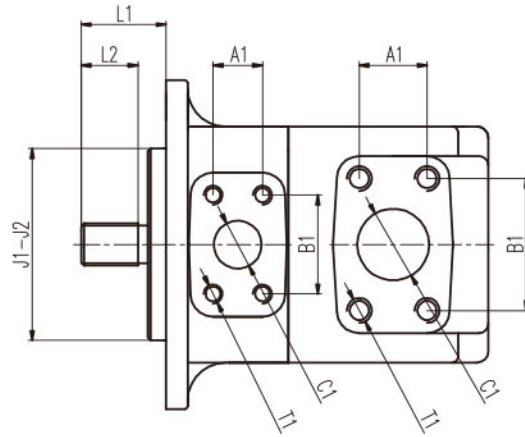
系列 Series	理论排量 Geological Displaceme-nt mL/rev	转速 Rotation speed r/min	流量/Flow (L/min)					输入功率 /Input Power (KW)				
			P=0 MPa	P=7 MPa	P=14 MPa	P=21 MPa	P=24 MPa	P=0 MPa	P=7 MPa	P=14 MPa	P=21 MPa	P=24 MPa
			L/min	L/min	L/min	L/min	L/min	KW	KW	KW	KW	KW
T6E-042	132.3	1000	132.3	127.3	122.3	117.3	115.3	3.3	17.4	33.0	48.5	55.2
		1200	158.8	153.8	148.8	143.8	141.8	4.0	20.8	39.5	58.3	66.3
		1500	198.5	193.5	188.5	183.5	181.5	5.2	26.2	49.4	72.7	82.7
		1800	238.1	233.1	228.1	223.1	221.1	6.4	31.5	59.4	87.3	99.4
T6E-045	142.4	1000	142.4	137.4	132.4	127.4	125.4	3.5	18.6	35.3	52.1	59.3
		1200	170.9	165.9	160.9	155.9	153.9	4.1	22.2	42.4	62.5	71.2
		1500	213.6	208.6	203.6	198.6	196.6	5.4	27.9	52.9	78.0	88.8
		1800	256.3	251.3	246.3	241.3	239.3	6.6	33.6	63.7	93.7	106.6
T6E-050	158.5	1000	158.5	153.5	148.5	143.5	141.5	3.6	20.4	39.1	57.7	65.7
		1200	190.2	185.2	180.2	175.2	173.2	4.3	24.5	46.9	69.3	78.9
		1500	237.8	232.8	227.8	222.8	220.8	5.7	30.7	58.6	86.5	98.4
		1800	285.3	280.3	275.3	270.3	268.3	6.9	37.0	70.4	103.9	118.2
T6E-052	164.8	1000	164.8	159.8	154.8	149.8	147.8	3.7	21.2	40.6	59.9	68.2
		1200	197.8	192.8	187.8	182.8	180.8	4.4	25.4	48.6	71.9	81.9
		1500	247.2	242.2	237.2	232.2	230.2	5.8	31.8	60.8	89.8	102.2
		1800	296.6	291.6	286.6	281.6	279.6	7.1	38.3	73.1	107.8	122.8
T6E-057	179.8	1000	179.8	174.8	169.8	164.8	162.8	3.9	22.9	44.1	65.2	74.2
		1200	215.8	210.8	205.8	200.8	198.8	4.6	27.5	52.8	78.2	89.1
		1500	269.7	264.7	259.7	254.7	252.7	6.0	34.5	66.0	97.6	111.2
		1800	323.6	318.6	313.6	308.6	306.6	7.4	41.5	79.4	117.3	133.6
T6E-062	196.7	1000	196.7	191.7	186.7	181.7	179.7	4.1	24.9	48.0	71.1	81.0
		1200	236.0	231.0	226.0	221.0	219.0	4.9	29.8	57.6	85.3	97.2
		1500	295.1	290.1	285.1	280.1	278.1	6.3	37.4	71.9	106.5	121.3
		1800	354.1	349.1	344.1	339.1	337.1	7.7	45.0	86.5	127.9	145.7
T6E-066	213.3	1000	213.3	208.3	203.3	198.3	196.3	4.3	26.8	51.9	76.9	87.6
		1200	256.0	251.0	246.0	241.0	239.0	5.1	32.2	62.2	92.3	105.2
		1500	320.0	315.0	310.0	305.0	303.0	6.6	40.3	77.8	115.2	131.3
		1800	383.9	378.9	373.9	368.9	366.9	8.1	48.5	93.4	138.4	157.7
T6E-072	227.1	1000	227.1	222.1	217.1	212.1	210.1	4.4	28.4	55.1	81.7	93.1
		1200	272.5	267.5	262.5	257.5	255.5	5.3	34.1	66.1	98.1	111.8
		1500	340.7	335.7	330.7	325.7	323.7	6.9	42.7	82.6	122.5	139.6
		1800	408.8	403.8	398.8	393.8	391.8	8.4	51.4	99.2	147.1	167.6
T6E-085*	269	1000	269.0	264.0	-	-	-	4.9	33.3	-	-	-
		1200	322.8	317.8	-	-	-	5.9	40.0	-	-	-
		1500	403.5	398.5	-	-	-	7.6	50.1	-	-	-
		1800	484.2	479.2	-	-	-	9.2	60.2	-	-	-

085 * 最大转速2000r/min, 最大间歇压力9MPa
The max rotation speed is 2000r/min, and the max intermittent pressure is 9MPa

安装连接尺寸

INSTALLATION DIMENSIONS

T7B、T7BS
T7D、T7DS
T7E、T7ES
T6C、T6D
T6E



	T7B	T7BS	T7D	T7DS	T7E	T7ES	T6C	T6D	T6E
E	38.10	38.10	38.10	38.10	52.30	52.30	38.10	38.10	52.30
F	82.30	82.30	87.40	87.40	110.00	110.00	82.30	87.40	110.00
G	168.50	168.50	184.90	184.90	225.30	225.30	161.60	184.90	225.30
J1	100.00	101.60	125.00	127.00	125.00	127.00	101.60	127.00	127.00
J2	99.967	101.550	124.937	126.950	124.937	126.950	101.550	126.950	126.950
N	140.00	146.00	180.00	181.00	180.00	181.00	146.10	181.00	181.00
O	174.50	174.50	212.40	212.40	213.00	213.00	174.50	212.40	213.00
φP	14.00	14.30	18.00	17.50	18.00	17.50	14.30	17.50	17.50

安装连接尺寸

INSTALLATION DIMENSIONS

轴伸 Shaft extension

型号 Model	轴伸代号 Shaft code	最大扭矩 Max torque (N.m)	L1	L2	DIA	K1xK2	H1	M1
T7B	2	●	70.0	40.0	25.0065/24.9935	8.00x7.00	28.22	-
T7BS	1	●	71.4	38.1	22.225/22.200	6.35x6.30	24.95	M8x16
	3	●	40.7	24.5	SAE J498b 1级Class, 径节Diameter Pitch 16/32, 13牙Teeth			-
	4	●	45.5	24.5	SAE J498b 1级Class, 径节Diameter Pitch 16/32, 15牙Teeth			-
T7D	5	●	87.4	50.0	32.018/32.002	10.00x8.00	36.3	M10x20
T7DS	1	●	83.6	49.3	31.750/31.700	7.94x7.89	35.27	M10x20
	2	●	73.2	38.1	31.750/31.700	7.94x7.89	35.27	-
	3	●	55.2	38.0	SAE J498b 1级Class, 径节Diameter Pitch 12/24, 14牙Teeth			-
	4	●	77.7	48.0	SAE J498b 1级Class, 径节Diameter Pitch 12/24, 14牙Teeth			-
T7E	5	●	90.0	60.0	38.018/38.002	10.00x8.00	41.3	M10x20
T7ES	1	●	90.9	50.8	38.100/38.050	9.52x9.47	42.36	M10x20
	2	●	61.9	38.1	31.750/31.700	7.94x7.89	35.27	-
	3	●	55.2	38.0	SAE J498b 1级Class, 径节Diameter Pitch 12/24, 14牙Teeth			-
	4	●	62.2	31.5	SAE J498b 1级Class, 径节Diameter Pitch 12/24, 17牙Teeth			-
T6C	1	275	71.4	38.1	22.225/22.200	6.35x6.30	24.95	M8x16
	2	238	58.2	31.7	22.225/22.200	4.76x4.71	24.53	-
	3	343	40.7	24.5	SAE J498b 1级Class, 径节Diameter Pitch 16/32, 13牙Teeth			-
	4	●	45.5	24.5	SAE J498b 1级Class, 径节Diameter Pitch 16/32, 15牙Teeth			-
T6D	1	●	83.6	49.3	31.750/31.700	7.94x7.89	35.27	M10x20
	2	577	73.2	38.1	31.750/31.700	7.94x7.89	35.27	-
	3	●	55.2	38.0	SAE J498b 1级Class, 径节Diameter Pitch 12/24, 14牙Teeth			-
	4	●	77.7	48.0	SAE J498b 1级Class, 径节Diameter Pitch 12/24, 14牙Teeth			-
T6E	1	●	90.9	50.8	38.100/38.050	9.52x9.47	42.36	M10x20
	2	577	61.9	38.1	31.750/31.700	7.94x7.89	35.27	-
	3	●	55.2	38.0	SAE J498b 1级Class, 径节Diameter Pitch 12/24, 14牙Teeth			-
	4	●	62.2	31.5	SAE J498b 1级Class, 径节Diameter Pitch 12/24, 17牙Teeth			-

- 能在最大流量, 最高压力下工作。
Work at maximum flow and pressure.

安装连接尺寸
INSTALLATION DIMENSIONS

油口/Oil port			法兰 Flange	安装尺寸/Install Dimensions(mm)				
				A1	B1	ΦC1	D1	T1口螺纹Thread
T7B, T7BS	P	01: 3/4"	F06	22.2	47.6	19.0	76.2	3/8"-16UNCx19.0
	P	00: 1"	F08	26.2	52.4	25.4	76.2	3/8"-16UNCx19.0
	S	1-1/2"	F12	35.7	69.9	38.1	76.2	1/2"-13UNCx22.4
T7D, T7DS	P	1-1/4"	F10	30.2	58.7	31.8	82.6	7/16"-14UNCx22.3
	S	2"	F16	42.9	77.8	50.8	82.6	1/2"-13UNCx23.9
T7E, T7ES	P	1-1/2"	F12	35.7	69.9	38.1	98.6	1/2"-13UNCx23.4
	S	3"	F24	61.9	106.4	76.2	98.6	1/2"-13UNCx22.4
T6C	P	1"	F08	26.2	52.4	25.4	76.2	3/8"-16UNCx19.0
	S	1-1/2"	F12	35.7	69.9	38.1	76.2	1/2"-13UNCx22.4
T6D	P	1-1/4"	F10	30.2	58.7	31.8	82.6	7/16"-14UNCx22.3
	S	2"	F16	42.9	77.8	50.8	82.6	1/2"-13UNCx23.9
T6E	P	1-1/2"	F12	35.7	69.9	38.1	98.6	1/2"-13UNCx23.4
	S	3"	F24	61.9	106.4	76.2	98.6	5/8"-11UNCx24.0